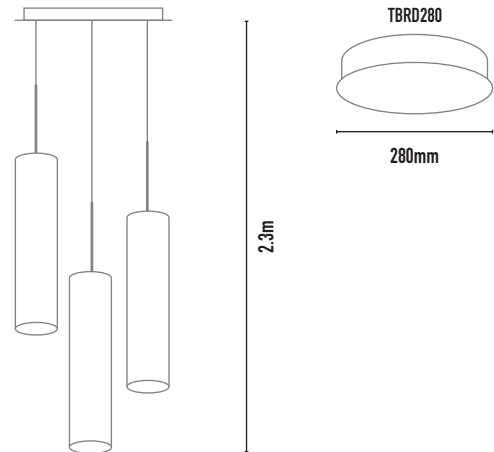


FOREST PENDANT CLUSTER

- FEATURES:**
- Australian designed & manufactured low glare accent pendant cluster
 - Wood body and aluminium construction
 - Each pendant is unique the wood has been carefully selected from Australian native bush sustainably. The wood has been heavily charred using centuries-old technique, preserving the integrity and structure of the wood while offering an exceptional unique texture and contrast. Finished in a smooth luxurious clear matt lacquer for durability
 - LED lamp/PAR16 LED GU10 240V offers various lamp options
 - No remote driver required
 - Dimmable
 - Serviceable IP20 pendant
 - Ideal for residential/ hospitality and commercial applications
 - IES files available on request

COLOURS: ■ Black -2



CODE	LAMP TYPE	WATTAGE	LUMENS	COLOUR TEMP	BEAM°	CRI	DIMENSIONS
FP3	PAR16	8.5W	660/670/680	2700K/3000K/4000K	35°	80/90/90	300mm length x 70-80mm diameter - 2m drop*