

MINIMAL GU10

- FEATURES:**
- Australian designed & manufactured architectural recessed ultra-low glare accent downlight
 - Minimal trim for trimless look
 - Fixed or Adjustable 10°-20° tilt
 - LED lamp / PAR16 LED GU10 240V, offers various lamp options
 - Lumen options up to 680lm
 - No remote driver required
 - Dimmable
 - COB / 12V MR16 versions available
 - Serviceable IP20 downlight
 - IC rated downlight
 - Ideal for residential / hospitality / gallery / museum & commercial applications
 - IES files available on request

TRIM COLOURS:

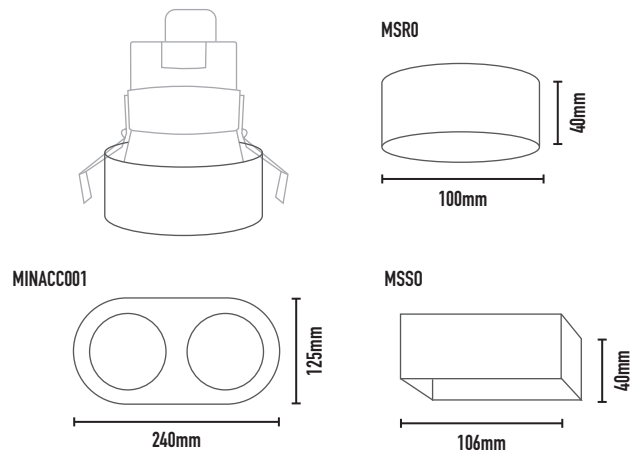
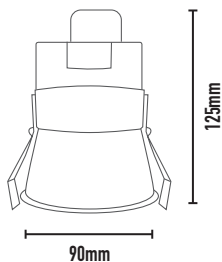
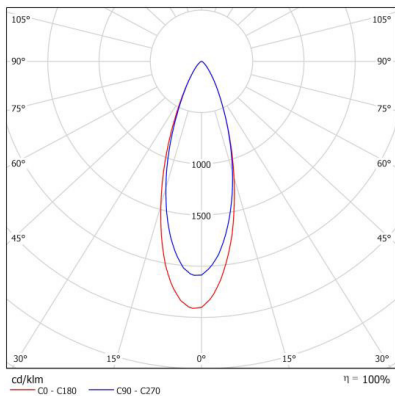
Black	-2
White	-3
Silver	-6
Custom	-5

- ACCESSORIES:**
- Frosted glass 30mm (FG)
 - Deco colour glass 50mm (DG)
 - Honeycomb filter (AL20)

- Semi surface mounted round trim (MSR0) specify Colour
- Semi surface mounted square trim (MSS0) specify Colour
- 2- Gang round plate (MINACC001) specify Colour



35 DEGREE



CODE	LAMP TYPE	WATTAGE	LUMENS	COLOUR TEMP	BEAM°	CRI	DIMENSIONS
MIN1	PAR16	8.5	660/670/680	2700K/3000K/4000K	35°	90	90mm diameter x 125mm height - Cut-out 83mm Ø
MNA1 (Adj)	COB	8.5	660/670/680	2700K/3000K/4000K	35°	90	90mm diameter x 125mm height - Cut-out 83mm Ø