

MINIMAL COB - PRO

- FEATURES:**
- Australian designed & made professional recessed ultra-low glare accent COB downlight
 - Minimal trim for trimless look
 - Fixed or Adjustable 10°-20° tilt
 - Lumen options 980lm up to 1510lm / CRI 80 / CRI 90
 - Requires remote electronic driver.
 - Specify - Non dim / Phase-cut dim / Dali dim
 - Dali dim 100% - 0.1% option available on request
 - Casambi Bluetooth wireless mesh control system available on request
 - Colour temps available: 2700k/3000k/4000k
 - Serviceable IP20 downlight
 - Ideal for commercial / hospitality / retail / gallery / museum / residential applications
 - IES files available on request

TRIM COLOURS:

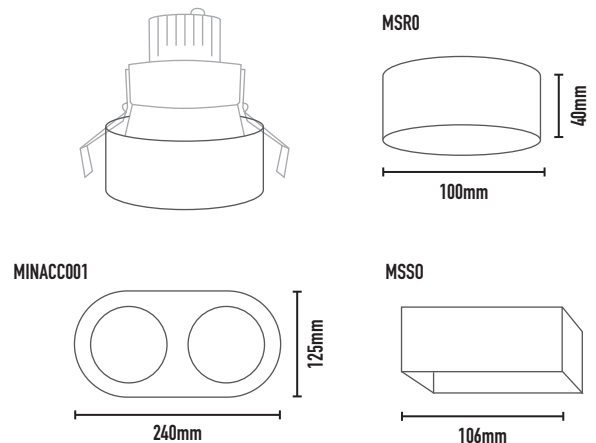
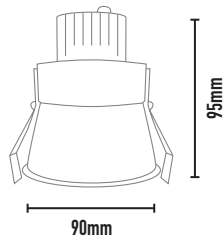
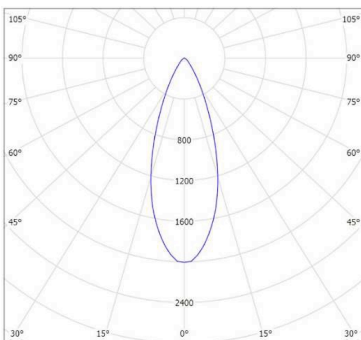
Black	-2
White	-3
Silver	-6
Custom	-5

- ACCESSORIES:**
- Frosted glass 30mm (FG)
 - IP44 Option
 - Deco colour glass 50mm (DG)
 - Honeycomb filter (AL20)

- Semi surface mounted round trim (MSR0) specify Colour
- Semi surface mounted square trim (MSS0) specify Colour
- 2- Gang round plate (MINACC001) specify Colour



40 DEGREE BEAM ANGLE AS PER STANDARD SPEC OPTIONS BELOW.



CODE	LAMP TYPE	WATTAGE	LUMENS	COLOUR TEMP	BEAM°	CRI	mA	DIMENSIONS
MIN50	COB	12.3	980	3000K	15,24,40	90	350	90mm diameter x 95mm height - Cut-out 83mm Ø
MNA50 (Adj)	COB	12.3	980	3000K	15,24,40	90	350	90mm diameter x 95mm height - Cut-out 83mm Ø

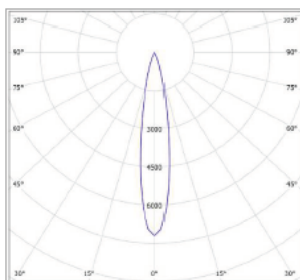
PROFESSIONAL

TO SPECIFY ADDITIONAL LED MODULE, "LAMP" OPTIONS: PLEASE SELECT FROM THE CODES BELOW AND ADD TO THE SPECIFICATION

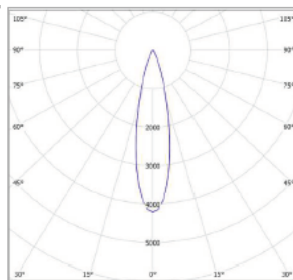
CODE	WATTAGE	LUMENS	COLOUR TEMP	BEAM ANGLE	CRI	MA
MC50-COB-900-927-15D-G1	12.3	980	2700k	15	90	350
MC50-COB-900-927-24D-G1	12.3	960	2700k	24	90	350
MC50-COB-900-927-40D-G1	12.3	920	2700k	40	90	350
MC50-COB-900-930-15D G1	12.3	1040	3000K	15	90	350
MC50-COB-900-930-24D G1	12.3	1020	3000K	24	90	350
MC50-COB-900-930-40D G1	12.3	980	3000K	40	90	350
MC50-COB-900-940-15D G1	12.3	1120	4000K	15	90	350
MC50-COB-900-940-24D G1	12.3	1090	4000K	24	90	350
MC50-COB-900-940-40D G1	12.3	1050	4000K	40	90	350
MC50-COB-1400-930-24D G1	12.9	1430	3000K	24	80	350
MC50-COB-1400-930-40D G1	12.9	1360	3000K	40	80	350
MC50-COB-1400-940-24D G1	12.9	1510	4000K	24	80	350
MC50-COB-1400-940-40D G1	12.9	1430	4000K	40	80	350

- Color consistency Mac Adam Step: 3 (<3SDCM)
- High color rendering performance, CRI 80 and 90 (TM30 compliant) IES TM30

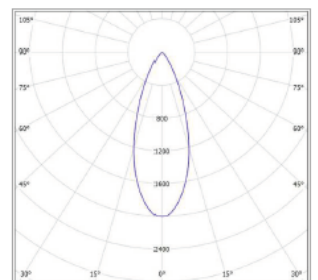
15 DEGREE



24 DEGREE



40 DEGREE



DRIVER OPTIONS:

- OTI / Dali dimmable
- OTE / PhaseCut
- OT / Non dimmable