






ASTRO TWIN 12V

- FEATURES:**
- Adjustable double headed spotlight IP66
 - 360° rotation & 90° elevation
 - With integral transformer or remote transformer version
 - Marine grade 316 stainless steel option
 - Solid copper finish available
 - Serviceable fittings
 - Ideal for many exterior commercial and residential applications

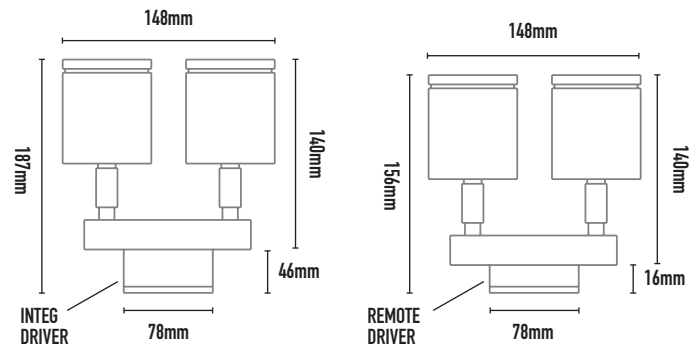
- COLOURS:**
-  Black -BL
 -  White -WH
 -  Silver -MS
 -  Copper -COP
 -  Stainless Steel -SS

LAMP SPECIFICATIONS:

STANDARD: 6W MR16
3000K - 45 degree - 320lm

PROFESSIONAL: 6W MR16
3000K - 25, 45, 60 degree - 320lm
4000K - 25, 45, 60 degree - 350lm

ACCESSORIES: Linear Spread Lens, Hex Cell Louvre Kit and Glare Guards available on request.



GGML - GLARE GUARD MOONLIGHT OPTION

100mm x 63.5mm diameter
(Black, white, silver only)



GG - GLARE GUARD

70mm x 63.5mm diameter

CODE	LAMP TYPE	WATTAGE	LUMENS	COLOUR TEMP	BEAM ANGLE	CRI	DIMENSIONS
MSCHTWS	MR16	2x 4W-6W	2x 320lm	3000K	25,45,60	85	SPOT - 75mm x 63.5mm diameter SCREW MOUNT - 16mm x 78mm diameter