






ASTRO SPOTLIGHT 12V

- FEATURES:**
- Adjustable exterior spotlight IP66
 - 360° rotation & 90° elevation
 - Remote transformer required or integral transformer on request
 - Marine grade 316 stainless steel option
 - Serviceable fittings
 - Ideal for many exterior commercial and residential applications

COLOURS:

	Black	-BL
	White	-WH
	Silver	-MS
	Copper	-COP
	Stainless Steel	-SS

LAMP SPECIFICATIONS:

STANDARD: 6W MR16 LED
3000K - 45 degree - 320lm

PROFESSIONAL: 6W MR16 LED
3000K - 25, 45, 60 degree - 320lm
4000K - 25, 45, 60 degree - 350lm

ACCESSORIES: Linear Spread Lens, Hex Cell Louvre Kit and Glare Guards available on request.



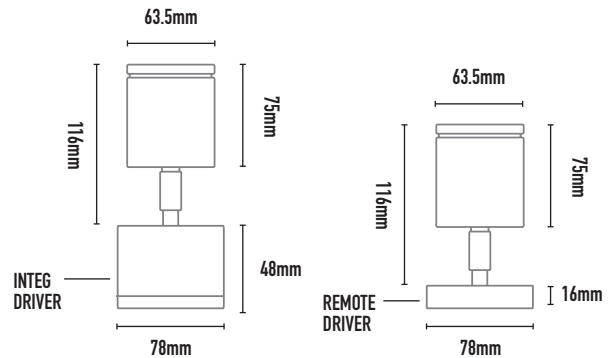
GGML - GLARE GUARD MOONLIGHT OPTION

100mm x 63.5mm diameter
(Black, white, silver only)



GG - GLARE GUARD

70mm x 63.5mm diameter



CODE	LAMP TYPE	WATTAGE	LUMENS	COLOUR TEMP	BEAM ANGLE	CRI	DIMENSIONS
MSCHWS	MR16	4W-6W	320lm	3000K	25,45,60	85	SPOT - 75mm x 63.5mm diameter SCREW MOUNT - 16mm x 78mm diameter