

OPAL LED STRIP IP65

FEATURES:

- Low profile extrusion with opal diffuser.
- Shortpitch LED strip offers uniform illumination
- Requires remote electronic 24v driver
- Specify - Non dim / Phase-cut dim / Dali dim
- Lumen options up to 1600lm per meter CRI 80
- IP65
- Colour temps available: 3000k or 4000k
- Ideal for cove lighting, wall integration, display lighting, joinery and architectural features
- Ideal for commercial / residential / hospitality / retail / gallery / museum applications

TRIM

COLOURS:  Anodised silver



HIGH OUTPUT STRIP

CODE	COLOUR TEMP	CRI	IP	V/DC	WATTAGE	LUMENS	OPERABLE LENGTH	BEAM ANGLE
LEDSTRIP-3K	3000K	80	65	24V	25W	1600	8m max	120°
LEDSTRIP-4K	4000K	80	65	24V	25W	1600	8m max	120°

LOWER OUTPUT STRIP

CODE	COLOUR TEMP	CRI	IP	V/DC	WATTAGE	LUMENS	OPERABLE LENGTH	BEAM ANGLE
LEDSTRIPLP-3K	3000K	80	65	24V	9W	800	10m max	120°
LEDSTRIPLP-4K	4000K	80	65	24V	9W	800	10m max	120°

NON DIM DRIVERS:

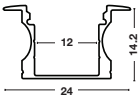
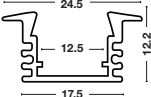
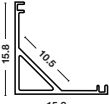
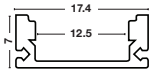
- 30W 24v IP20 non dim (EL30/24)
- 60W 24v IP20 non dim (EL60/24)
- 120W 24v IP20 non dim (EL120/24)
- 180W 24v IP20 non dim (EL180/24)

PHASE-CUT DIMMABLE DRIVERS:

- 30W 24v IP20 phase-cut driver (PDV24-030)
- 75W 24v IP20 phase-cut driver (PDV24-075)
- 100W 24v IP66 phase-cut driver (PDV24-100)
- 150W 24v IP66 phase-cut driver (PDV24-150)
- 200W 24v IP66 phase-cut driver (PDV24-200)

DALI DIMMABLE DRIVERS:

- 100W 24v IP20 (LCA100/24)
- 150W 24v IP20 (LCA150/24)

RECESSED CEILING EXTRUSION	RECESSED JOINERY EXTRUSION	CORNER PROFILE EXTRUSION	SURFACE MOUNTED EXTRUSION
			
CODE	CODE	CODE	CODE
LEDPRO-RE 1m	LEDPRO-JN 1m	LEDPRO-CN 1m	LEDPRO-SM 1m
LEDPRO-RE 2m	LEDPRO-JN 2m	LEDPRO-CN 2m	LEDPRO-SM 2m
LEDPRO-RE 3m	LEDPRO-JN 3m	LEDPRO-CN 3m	LEDPRO-SM 3m