



# MERCURY GU10

- FEATURES:**
- Australian designed & manufactured compact low glare accent spotlight.
  - Extruded aluminium body/ steel components
  - LED lamp / PAR16 LED GU10 240V, offers various lamp options
  - Adjustable 90° tilt, 359° rotation
  - Suitable for 240v track 1C & 3C or with a selection of surface mounted options
  - Lumen options up to 750lm
  - No remote driver required
  - Dimmable
  - COB / 12V MR16 versions available with remote driver
  - Serviceable IP20 spotlight
- Ideal for residential / hospitality / gallery / museum & commercial applications
  - IES files available on request

**COLOURS:**

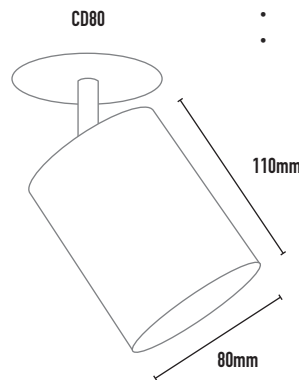
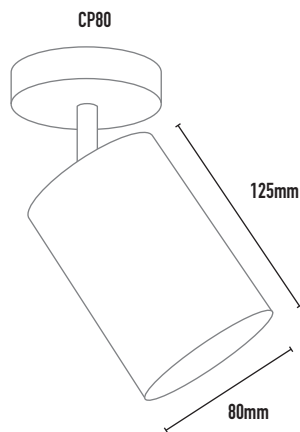
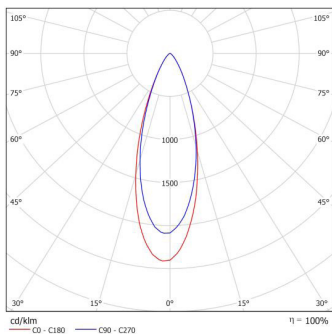
	Black	-22
	White	-33
	Silver	-66
	Black outer / Gold inner	-42
	White outer / Gold inner	-43
	White outer / Black inner	-23
	Custom	-5

- ACCESSORIES:**
- Deco glass filter holder (CHL)
  - Frosted glass 50mm (FG)
  - Deco colour glass 50mm (DG)
  - Honeycomb filter (AL20)
  - Lamp droppers 100mm -1500mm (LD)

**MOUNTING OPTIONS:**

- CP80 / CD65 / 3C track
- Additional mounting options available
- See **Mounting Options** spec sheet for more information

**35 DEGREE**



CODE	LAMP TYPE	WATTAGE	LUMENS	COLOUR TEMP	BEAM ANGLE	CRI	DIMENSIONS
MER11	PAR16 GU10 LED	8.5W	660/670/680	2700K/3000K/4000K	35°	80/90/90	110mm length x 80mm diameter
MER12	PAR16 GU10 LED	8.5W	660/670/680	2700K/3000K/4000K	35°	80/90/90	125mm length x 80mm diameter