

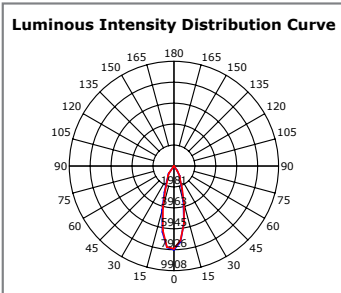
CENTRO 42.1W LED

FEATURES

- Architectural Design
- Ideal for commercial applications
- Optimal anti-glare design
- 355° rotation, 48° tilt adjustment
- Ideal for commercial applications, retail, universities, schools and showrooms.
- IES files available

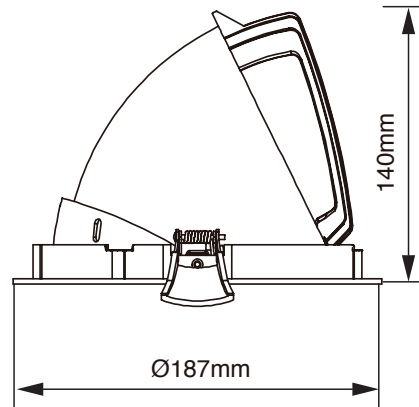
COLOUR

White -3



Light Distribution Diagram

Height (m)	Diameter(m)	Illuminance (lux)
0.6	0.84	22019.08
1.2	1.68	5504.77
1.8	2.52	2446.56
2.4	3.36	1376.19
3	4.20	880.76



CODE	COLOUR	COLOUR TEMP	WATTAGE	LUMENS	BEAM ANGLE	CRI	DIMENSIONS
177047	White	3000K	42.1W	3000LM	30°	80	Height 140mm diameter 187mm Cut out 178mm