


# RECESSED STEPLIGHT

**FEATURES:** The Recessed Steplight models are designed to be mounted in the ground to illuminate paths, or wash walls and steps. They feature a glass optic that orients light 5° below the horizon and 10° above. These offer extremely low glare in almost all applications.

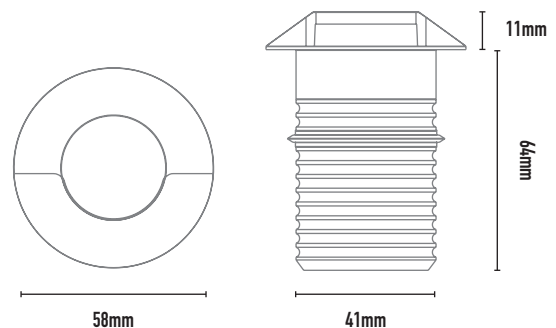
- Designed to fit into 50mm conduit
- Clear lens
- Warm white
- Remote driver
- Replaceable LED boards
- Ideal for commercial and residential applications: stair & orientation lighting

**COLOURS:**

	Black	-BL
	Copper	-COP
	Stainless Steel	-SS

- ACCESSORIES:**
- 50mm diameter mounting canister
  - 700mA constant current remote driver
  - Plug-In 12 Volt AC integral driver

- DRIVER:**
- HUN 1050 constant current
  - Remote driver
  - Built-in step down mA 350, 500 and 700
  - Runs up to 11 fittings in series



CODE	WATTAGE	LAMP TYPE	DIMENSIONS
M4-_-SL-WW-R	4W	LED 400 LUMENS 3000K	75mm x 41mm x 58mm diameter front