

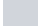


MONDO BLOK EASY

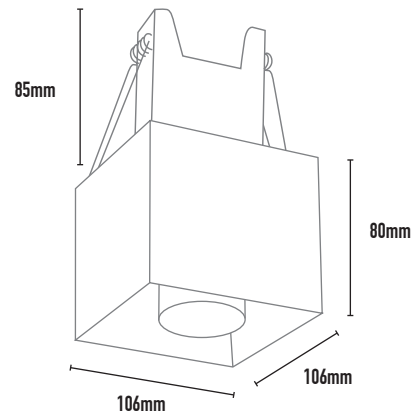
- FEATURES:**
- Australian designed & manufactured
 - Fixed surface mount, wall or ceiling
 - Extruded aluminium body
 - Ideal for residential, hospitality and commercial applications

COLOURS:

	Black	-2
	White	-3
	Silver	-6
	Custom	-5



MOUSE TRAP SPRING MOUNT



CODE	WATTAGE	LAMP TYPE	DIMENSIONS
MBE	MAX 60W	E27 (lamp not included)	106mm x 106mm x 80mm (total depth with lampholder 165mm)