

FOUR WAY PATH LIGHT

FEATURES

The recessed Four Way Path Light model are designed to be mounted in the ground/wall to illuminate paths, and wash walls. They feature a glass optic that orients light 5° below the horizon and 10° above. These offer extremely low glare in almost all applications. Custom Path flange apertures available by special request.

- Designed to fit into 50mm conduit
- Clear lens
- Warm white
- Remote driver
- Ideal for commercial and residential applications: stair & orientation lighting

COLOUR

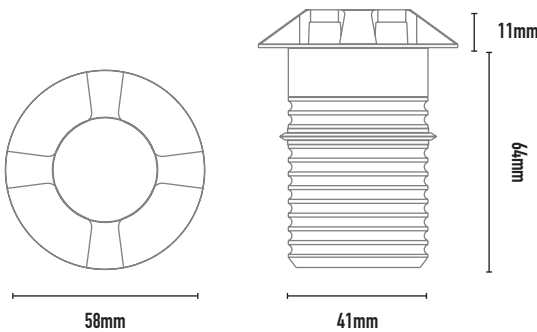
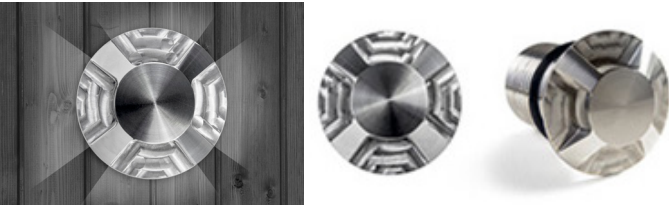
- Black -2
- Copper -0
- Stainless Steel -0

ACCESSORIES

50mm diameter mounting canister
700mA constant current remote driver
Plug-In 12 Volt AC integral driver

DRIVER OPTIONS - SPECIFY

Constant current
Remote driver
LCM60 700mA
LCM60 700mA (EN) IP66
Built-in step down mA 350, 500 and 700
Runs up to 8 fittings in series



CODE	WATTAGE	LAMP TYPE	DIMENSIONS
M4-_-SL-WW-R	4W	LED 320 LUMENS 3000K	75mm x 41mm x 58mm diameter front