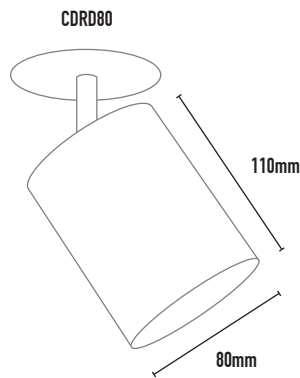
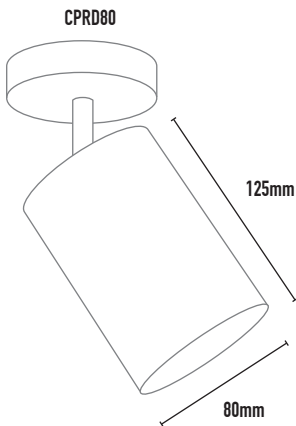




MERCURY

- FEATURES:**
- Australian designed & manufactured
 - Compact 240v interior spotlight
 - Adjustable 90o tilt, 359o swivel
 - Low glare, easy lamp change
 - Suitable for mains track 1C or 3C or with a variety of surface mounted options
 - Ideal for residential, hospitality and commercial applications

- COLOURS:**
- Black -22
 - White -33
 - Silver -66
 - Black outer / Gold inner -42
 - White outer / Gold inner -43
 - White outer / Black inner -23
 - Custom -XX



- ACCESSORIES:**
- Deco glass filter holder (CHL)
 - Frosted glass 30mm (FG)
 - Deco colour glass 50mm (DG)
 - Lamp droppers: 100mm-1500mm (LD)
 - AL 20 Honeycomb filter

- MOUNTING OPTIONS:**
- Additional mounting options available
 - See [Mounting Options](#) spec sheet for more information

CODE	WATTAGE	LUMENS	LAMP TYPE	DIMENSIONS
MER1125	7.5W	380 - 500lm	PAR16 Short GU10 LED	110mm length x 80mm diameter
MER2125	7.5W	380 - 500lm	PAR16 Long GU10 LED	125mm length x 80mm diameter