

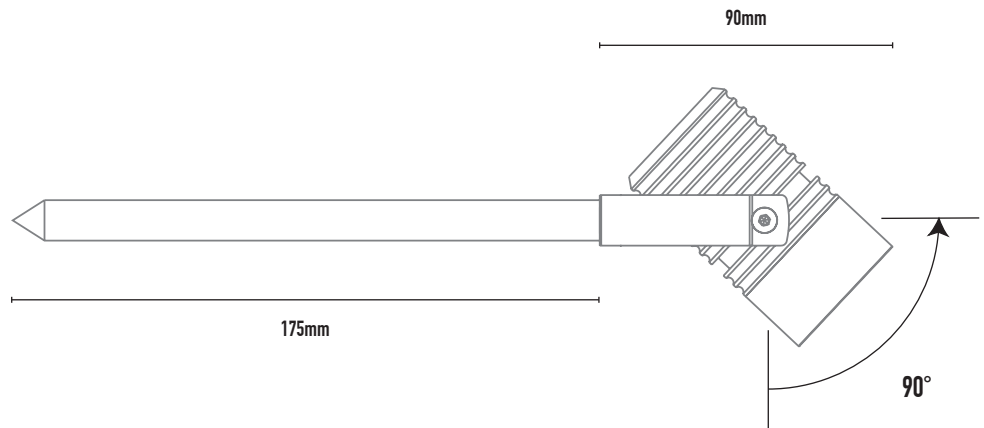
MINI SPIKE SPOT

FEATURES: Mini Spike Spot and Pond Light luminaires are mid-size spotlights with a swivel bracket that provides 90° elevation adjustment. The Pondlight has a weighted base and is designed to be installed underwater. The Spot can be screw mounted to any hard surface and the Spike is designed to be inserted directly into the ground.

- Adjustable
- Remote driver
- Ideal for commercial and residential applications: stair & orientation lighting

COLOURS:

- Black -BL
- Copper -COP
- Stainless Steel -SS



CODE	WATTAGE	LAMP TYPE	DIMENSIONS
M1-_-SP-C-30-WW-R-BS	1W	LED 65 LUMENS 30° BEAM ANGLE 3000K	175mm x 90mm