

ASTRO TWIN

- FEATURES:**
- Adjustable double headed spotlight IP66
 - 360° rotation & 90° elevation
 - With integral transformer (MSCHTWS/R) or remote transformer version (MSCHTWS)
 - Marine grade 316 stainless steel option
 - Solid copper finish available
 - Serviceable fittings
 - Ideal for many exterior commercial and residential applications

COLOURS:

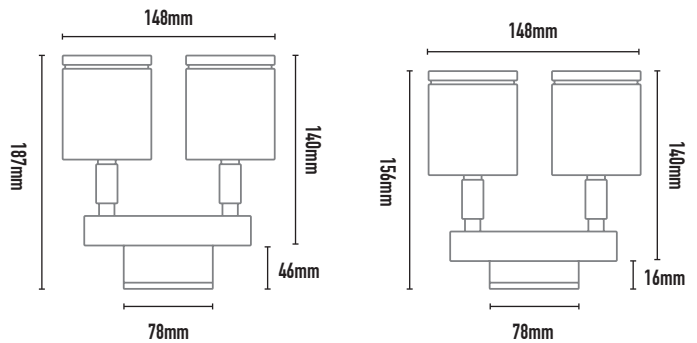
	Black	-BL
	White	-WH
	Silver	-MS
	Copper	-COP
	Stainless Steel	-SS

LAMP SPECIFICATIONS:

STANDARD: 6W MR16
3000K - 45 degree - 300lm

PROFESSIONAL: 6W MR16
3000K - 15, 25, 60 degree - 300lm
4000K - 15, 25, 60 degree - 350lm

ACCESSORIES: Linear Spread Lens, Hex Cell Louvre Kit and Glare Guards available on request.



GGML - GLARE GUARD MOONLIGHT OPTION
100mm x 63.5mm diameter



GG - GLARE GUARD
70mm x 63.5mm diameter

CODE	WATTAGE	LAMP TYPE	DIMENSIONS
MSCHTWS	2 X 4W-35W	12V MR16 LED / HALOGEN	SPOT - 75mm x 63.5mm diameter SCREW MOUNT - 16mm x 78mm diameter
MSCHTWS/R	2 X 4W-35W	12V MR16 LED / HALOGEN	SPOT - 75mm x 63.5mm diameter SCREW MOUNT - 47mm x 78mm diameter