

ASTRO SPOTLIGHT

- FEATURES:**
- Adjustable exterior spotlight IP66
 - 360° rotation & 90° elevation
 - Remote transformer required (MSCHWS) or integral transformer (MSCHWS/R) on request
 - Marine grade 316 stainless steel option
 - Serviceable fittings
 - Ideal for many exterior commercial and residential applications

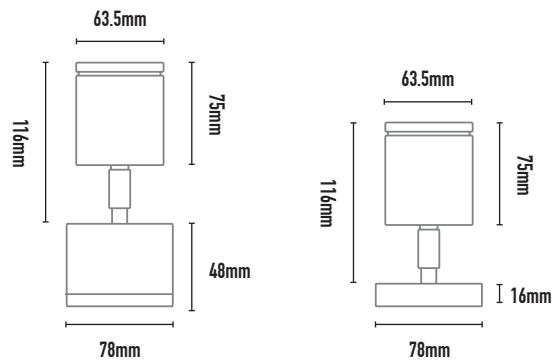
- COLOURS:**
- Black -BL
 - White -WH
 - Silver -MS
 - Copper -COP
 - Stainless Steel -SS

LAMP SPECIFICATIONS:

STANDARD: 6W MR16 LED
3000K - 45 degree - 300lm

PROFESSIONAL: 6W MR16 LED
3000K - 15, 25, 60 degree - 300lm
4000K - 15, 25, 60 degree - 350lm

ACCESSORIES: Linear Spread Lens, Hex Cell Louvre Kit and Glare Guards available on request.



GGML - GLARE GUARD MOONLIGHT OPTION
100mm x 63.5mm diameter



GG - GLARE GUARD
70mm x 63.5mm diameter

CODE	WATTAGE	LAMP TYPE	DIMENSIONS
MSCHWS	4W-35W	12V MR16 LED	SPOT - 75mm x 63.5mm diameter SCREW MOUNT - 16mm x 78mm diameter
MSCHWS/R	4W-35W	12V MR16 LED	SPOT - 75mm x 63.5mm diameter SCREW MOUNT - 47mm x 78mm diameter